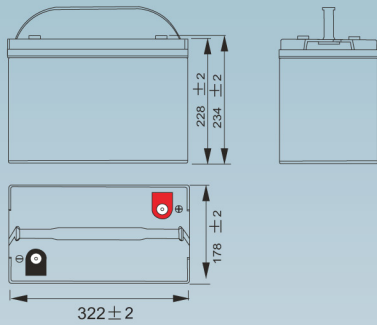
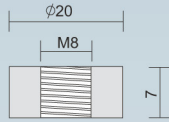


Dimensions (mm)



Standard terminal (mm)

T11 Threaded Insert 8mm STUD



Physical Specification

Nominal Voltage		6V
Nominal Capacity (20HR)		215 AH
Dimension	Length	322 ± 2 mm
	Width	178 ± 2 mm
	Container Height	228 ± 2 mm
	Total Height (with terminal)	234 ± 2 mm
Weight		Approx 30.5kg
Standard Terminal		T11

PSX6-215 6V 215AH

IMAGE COMING SOON

Discharge Characteristics (25°C, 77°F)

Power Rating	3hr to 1.67v	652.2 W	Constant Voltage Charge	Standby	Recommended Charge Current less than 53.75A Voltage 13.5V ~ 13.8V at 25°C (77°F)
	1hr to 1.67v	1638.0 W			
15min to 1.67v	4054.8 W				
Capacity Affected by Temperature	40°C (104°F)	103%			
	25°C (77°F)	100%			
	0°C (32°F)	86%			

Internal Resistances mOhms

2.0 mOhms

Constant Current Discharge Characteristics Unit: Amperes (25°C, 77°F)

F.V(V/cell)	15min	1H	3H
1.85	261.0	119.0	49.7
1.80	306.2	129.5	51.6
1.75	334.6	135.4	52.6
1.70	357.2	139.7	54.0
1.67	379.9	144.4	56.4
1.60	406.2	149.6	58.0

Constant Power Discharge Characteristics Unit: Watts / Cell (25°C, 77°F)

F.V(V/cell)	15min	1H	3H
1.85	487.1	229.6	97.3
1.80	563.8	248.4	100.6
1.75	608.3	258.7	102.0
1.70	640.4	266.0	104.7
1.67	675.8	273.0	108.7
1.60	710.8	281.1	111.6



Power-Sonic Europe Limited
3 Buckingham Square, Wickford, Essex, SS11 8YQ
Tel: +44 (0)1268 560686 Fax: +44 (0)1268 560902
sales@power-sonic.co.uk
www.power-sonic.co.uk